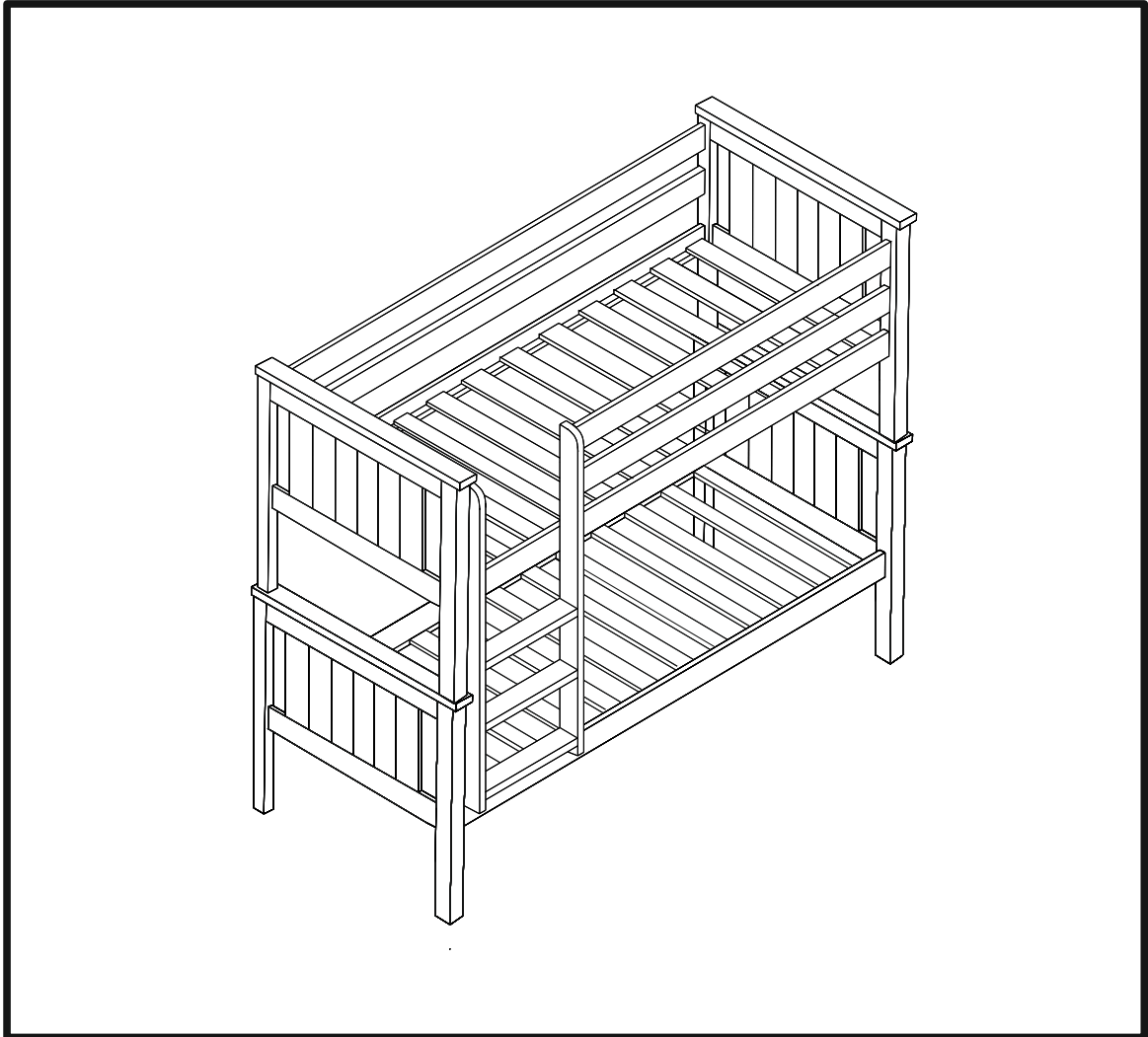


Little Folks

- FURNITURE -



Classic Bunk Bed

Code: BBD005

PLEASE READ CAREFULLY & KEEP FOR FUTURE REFERENCE

Thank you for buying a **Little Folks** piece of furniture

Treated properly it should be a faithful servant for years - and we hope you get the same amount of pleasure from it. Before you do

- please take a few minutes to read these instructions
- we suggest you carefully unpack everything, lay it out on a clean, flat floor and identify everything on the parts list in these instructions. Do not throw away any packaging until you are sure you have all the parts.

If you have any problems assembling the product please call our customer services on 01985 300588 and we will try and help. If for any reason you wish to return the product, you must disassemble the product and pack in the original packaging.

Taking care of your product

Your furniture should require no more than a regular dust off with a soft cloth. If the furniture is not painted then a superior wood polish can be used - but never use polishes containing silicone.

If necessary it can be cleaned with a damp cloth with a mild detergent solution - and then dried with a lint-free cloth. Never clean with abrasives or chemical cleaners.

Direct sunlight or heat from a radiator can stain, discolour warp or crack furniture.

We know furniture can be heavy but try not to drag furniture across the floor as this can damage it.

PRODUCT SAFETY

This product is designed to conform to BSEN747:1 2012

The MAXIMUM thickness of the UPPER BUNK mattress is 20cm.

The recommended size of the mattress is 191cm x 90cm (6`3" x 3`0)

Periodically check that all assembly fixings are tightened properly, care should be taken to ensure that no fittings are loose.

The furniture must be set up on an even and stable surface.

Keep away from direct sources of heat, such as electric, gas or coal fires.

Do not allow children to climb on the furniture. Using this furniture other than for its intended purpose could cause damage to the structure or serious injury to your child.

The Bunk should not be used if any structural part is broken or missing.

The upper Bunk is not suitable for children under six years old due to the risk of falls.

Do not attach items such as ropes, strings, cords, harnesses or belts etc to avoid the risk of strangulation.

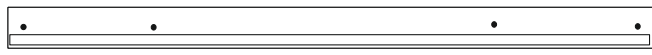
WARNING: Children can become trapped between the bed and the wall. To avoid the risk of serious injury the distance between the top safety barrier and the wall must not exceed 75mm or be more than 230mm.

WARNING:

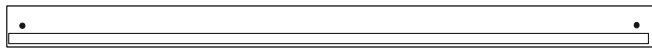
Hole covers Not suitable for children under 36 months due to choking hazard.

If you have any problems please do contact us for help on e mail customerservices@littlefolkspfurniture.co.uk or phone our CUSTOMER SERVICES 01985 300588

Parts



1 x upper front mattress rail



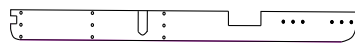
3 x mattress rails



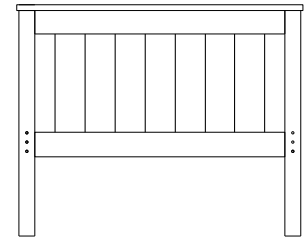
2 x long safety rails



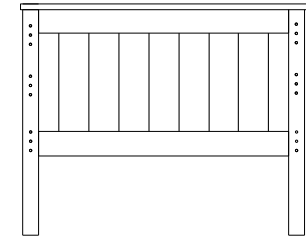
2 x front safety rails



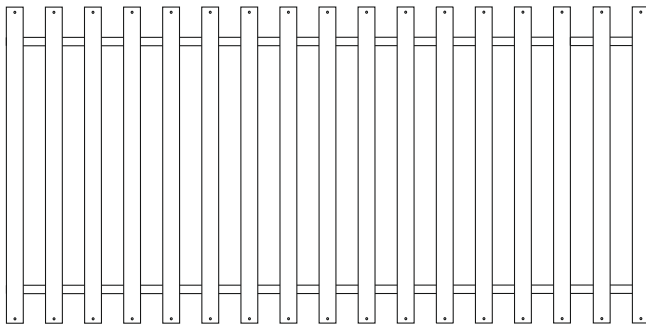
2 x ladder strings



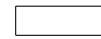
2 x lower ends



2 x upper ends



2 x mattress base



3 x ladder treads

Fittings

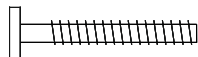
14 x 9cm Bolts



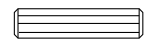
76 x Screws 3.5cm



2 x 7cm Bolts



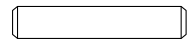
48 x small Dowels



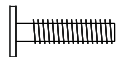
2 x 6cm Bolts



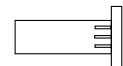
4 x Large Dowels



1 x 3.5cm Bolts



2 x sleeve nuts



7 x 5cm screw bolts



4 x Hole covers

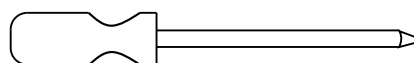


16 x Barrel Nuts



Tools Req

Screwdriver



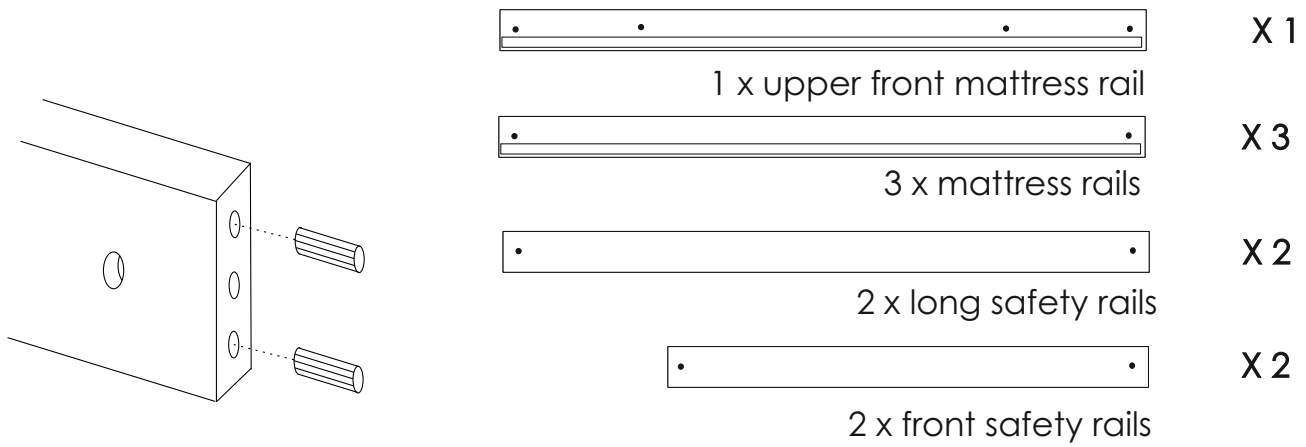
2 x Allen Key



Fitting the rails

32 x small wooden dowels

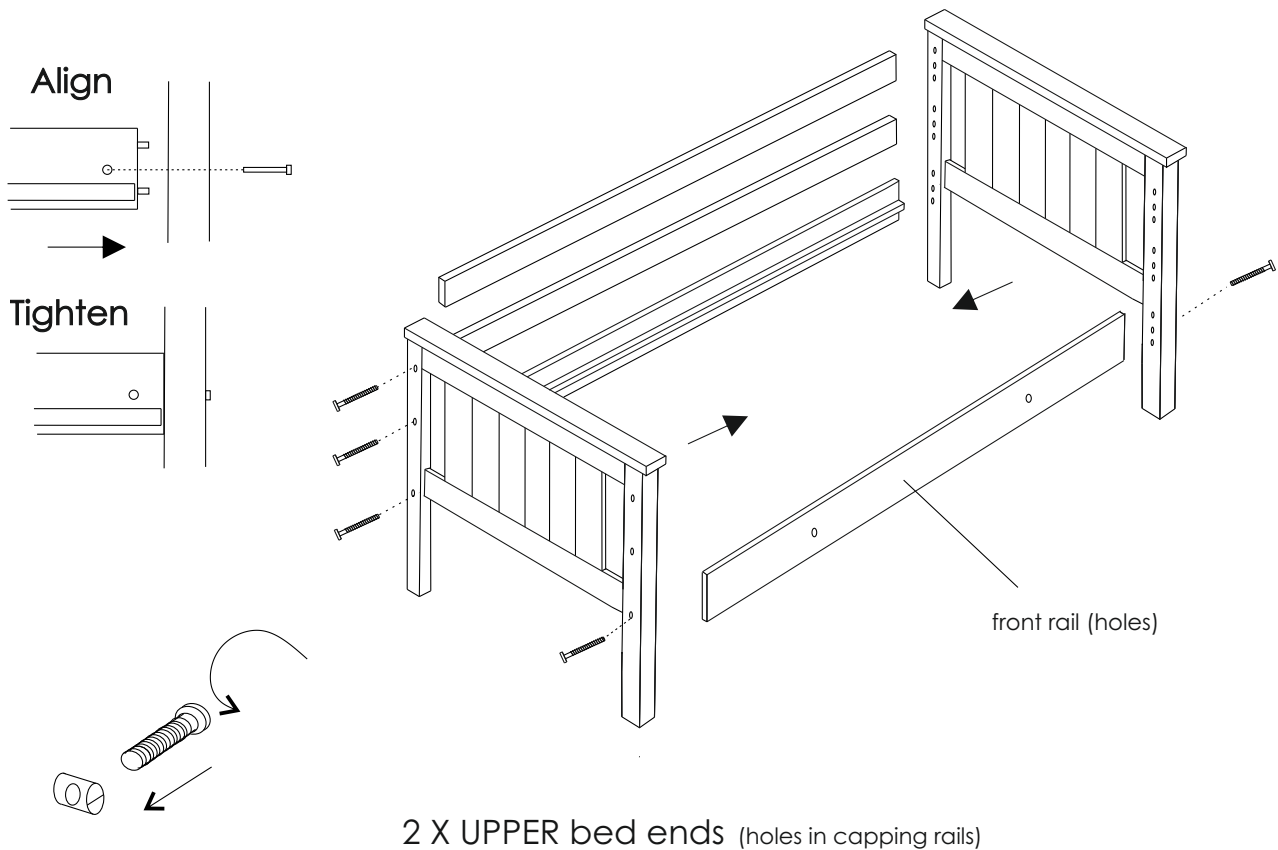
Insert 2 wooden dowels into each end of each rail



Building the UPPER bed frame (Two people)

8 x 9cm bolts and 8 x barrel nuts

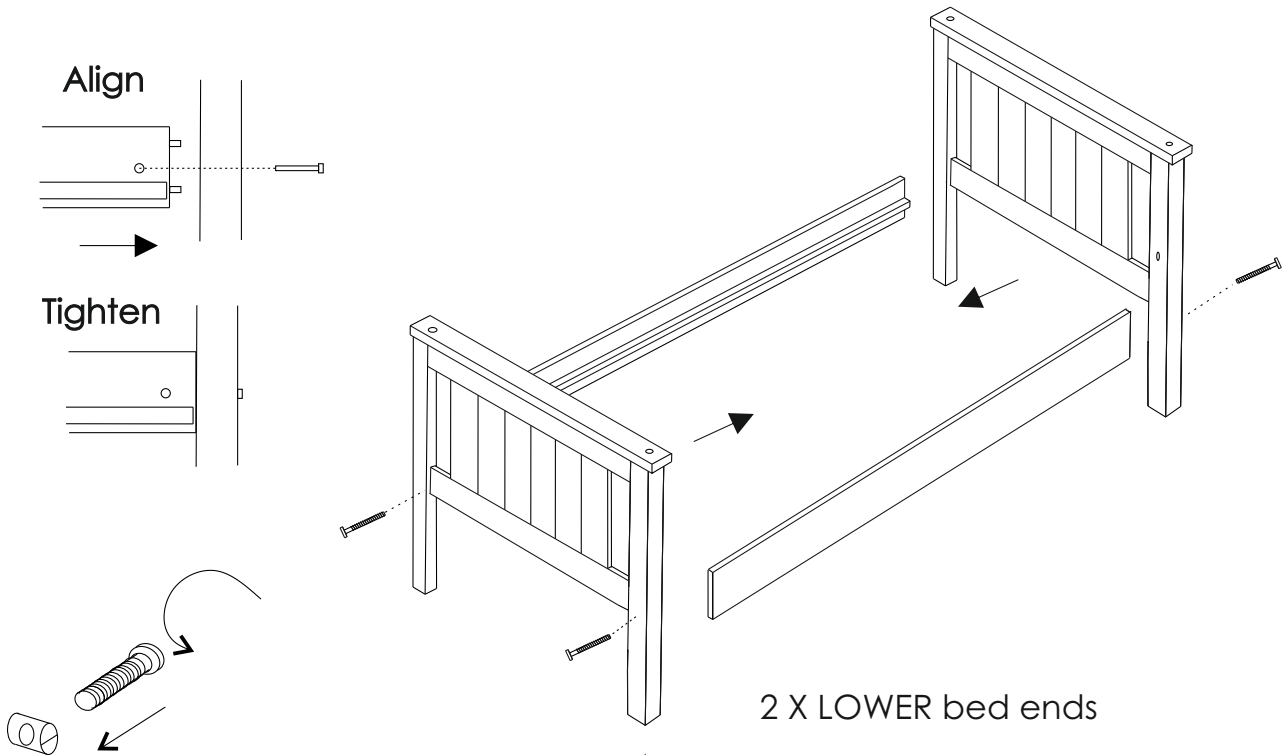
Build the bed with the parts positioned as shown, Locating the wooden dowels into the holes on the two upper bed ends. Insert a barrel nut into the hole at each end of the rails, allowing it to connect to a long bolt fitted from the outside, rotate to tighten the bed frame



Building the LOWER bed frame (Two people)

4 x 9cm bolts and 4 x barrel nuts

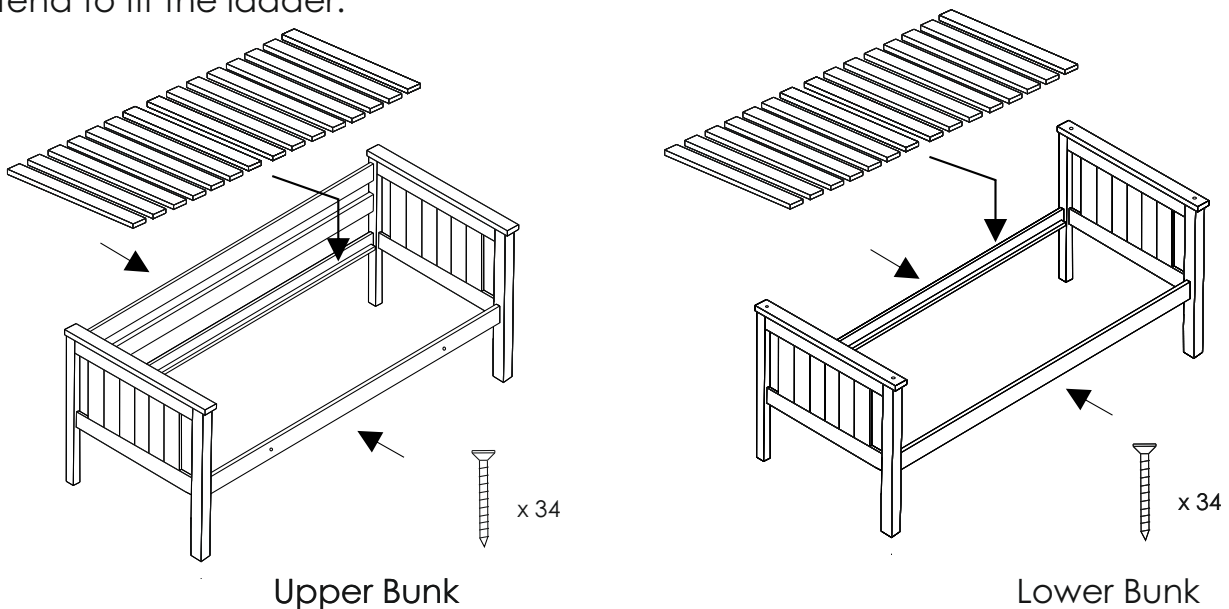
Build the bed with the parts positioned as shown, Locating the wooden dowels into the holes on the two upper bed ends. Insert a barrel nut into the hole at each end of the rails, allowing it to connect to a long bolt fitted from the outside, rotate to tighten the bed frame



Fix the mattress bases (Two people)

68 x wood screws

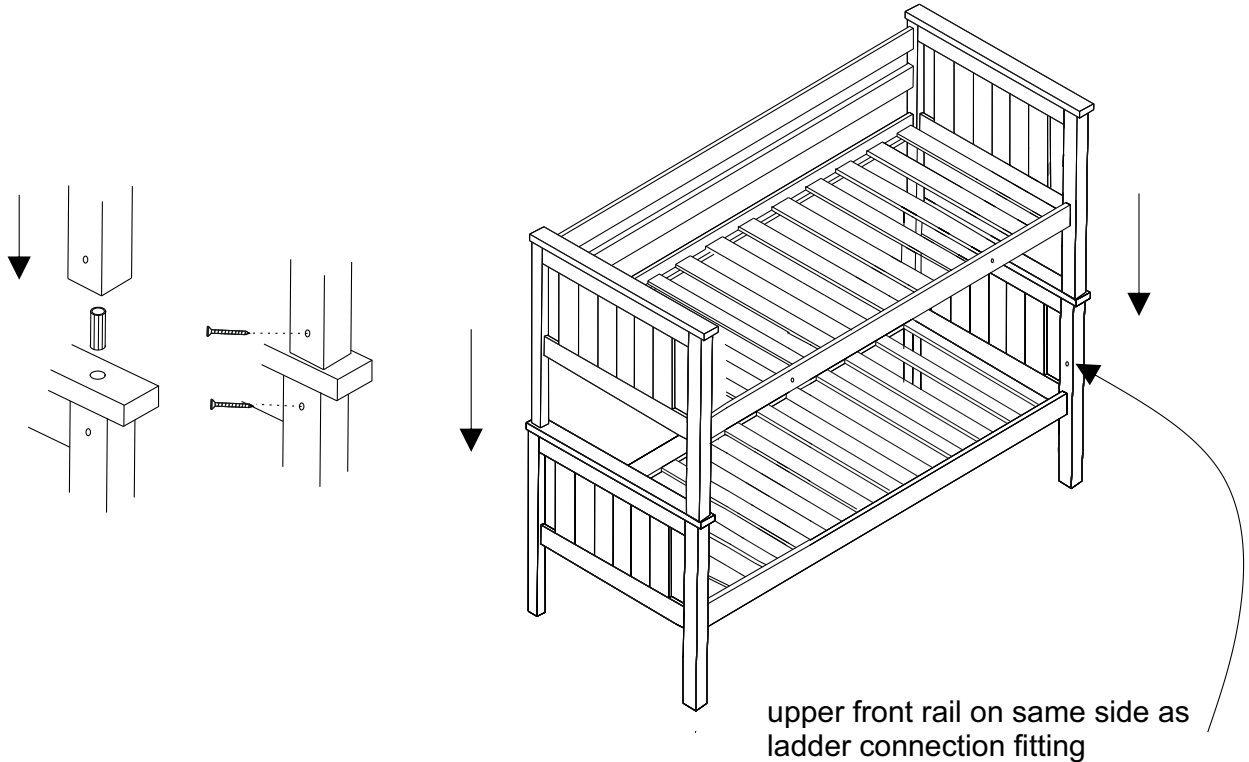
Gently lay the each mattress base out onto the support rails fitted to the inside of the bed. Stretch the bases out so that the end slats are tight to the bed end frames. Now screw down every mattress slat making sure the bed remains parallel. Note; Upper bed = do not fix the last four bed slats on the end you intend to fit the ladder.



Make the bunk (two people)

4 x large wooden dowels and 8 x wood screws

Fit 4 x large wooden dowels into the top of the lower bed (holes in the capping rail of the lower bed). Lift the upper bed onto the lower bed aligning the upper bed onto the dowels. Once the bed frames are firmly together, connect using the 8 x wood screws.



Make the ladder

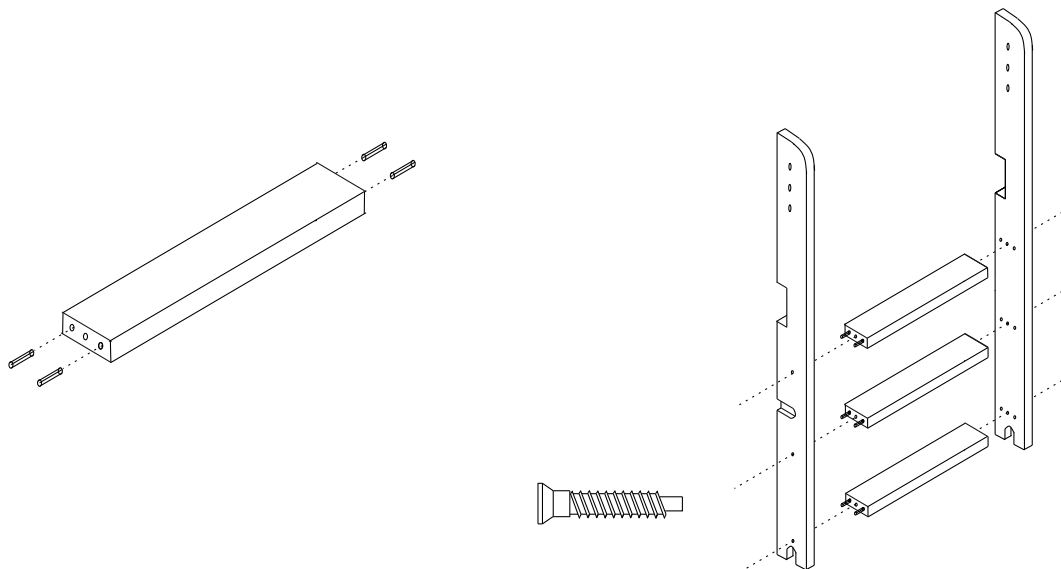
6 x 5cm screw bolts and 12 wooden dowels

Insert 12 wooden dowels into the 3 x ladder treads, 2 each end.

Align the 3 treads to match the holes in the two ladder strings, as seen.

Now press the parts together to form the ladder frame, inserting the screw bolts from the outside.

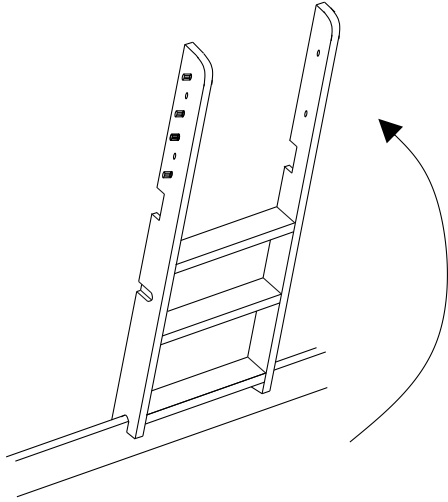
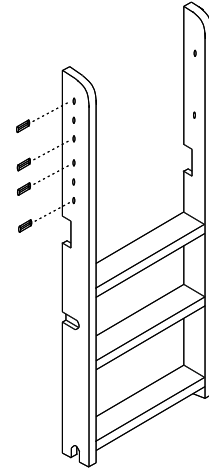
Tighten using the allen key



Fit the ladder

Ladder on left illustrated first followed by ladder on right. (in two pages)

Fix 4 x wooden dowels into the left-hand ladder string as shown.



Rotate the ladder

Gently engage the ladder notches over the lower mattress rail and then push the left-hand ladder string up against the bed legs, aligning and engaging the wooden dowels

Connect the ladder string

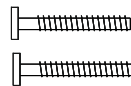
2 x 7cm bolts, 2 x sleeve nuts and 1 x 3.5cm bolt

Fix the ladder string to the bed legs using 2 x 7cm bolts and 2 x sleeve nuts

Connect the ladder to the lower bed leg using the 3.5cm bolt

This can be a bit fiddly so do not tighten up the upper fixings until you have connected the lower 35mm bolt.

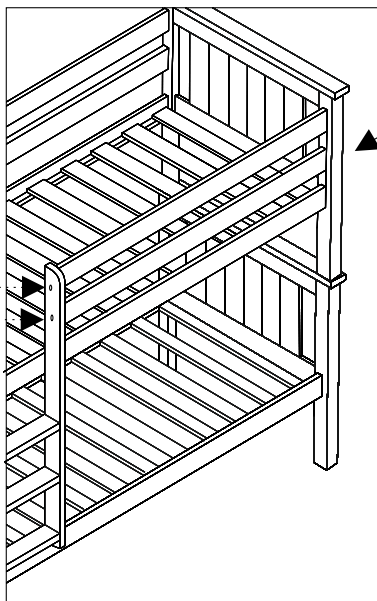
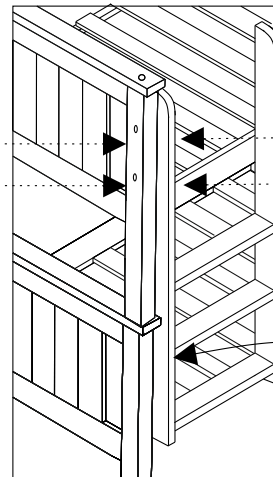
2 x 7cm bolts



2 x sleeve nuts



1 x 3.5cm bolt



2 x 6cm bolts



2 x 9cm bolts

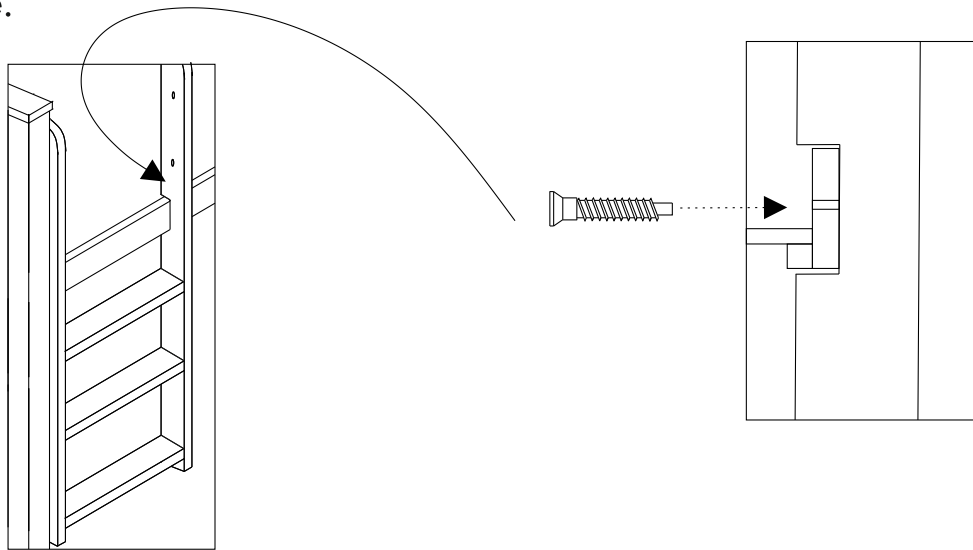
Fix the front safety rails

2 x 6cm bolts, 2 x 9cm bolts and 4 x barrel nuts

Slide the two safety rails into the wooden dowel holes. Now connect the two rails using the bolts shown, rotating them tight through the barrel nuts.

Secure the ladder

Connect the right-hand ladder string to the mattress rail using a 5cm screw bolt from the inside. Move the mattress slats to allow access to bolt. Now fix the four slats in place.

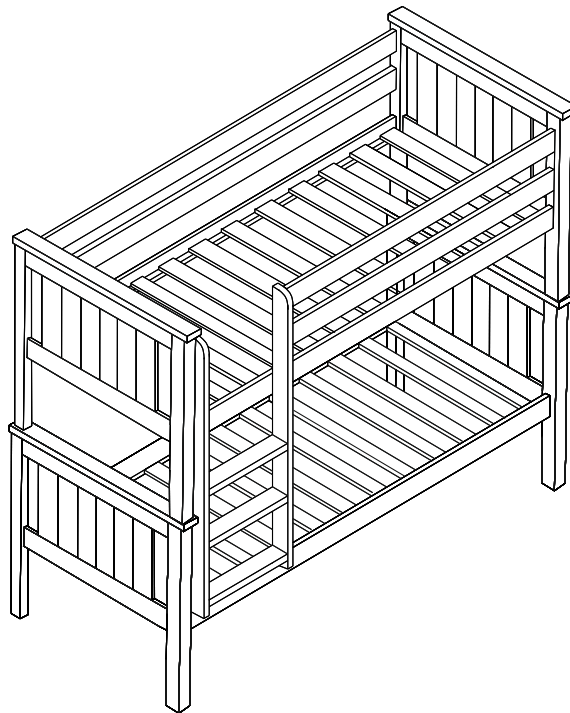


Position the bunk

Carefully lift the bunk bed into place using the lower bed ends (Two people)

Lift the mattresses upon the sleeping surfaces

Note that the upper mattress **MAXIMUM** thickness at 20cm

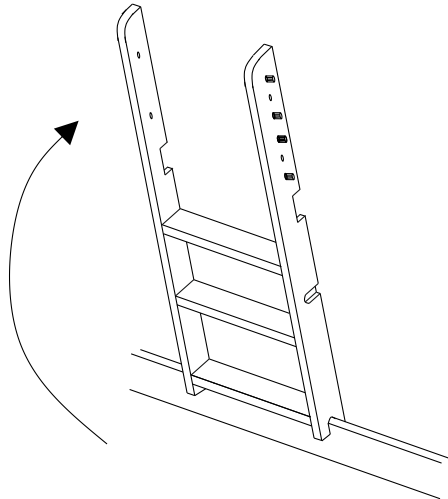
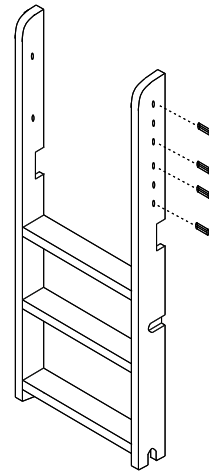


Please take a few minutes to look over the bunk bed to ensure that the fittings are securely fastened and the product is stable.

Fit the ladder

Ladder right illustrations.

Fix 4 x wooden dowels into the right-hand ladder string as shown.



Rotate the ladder

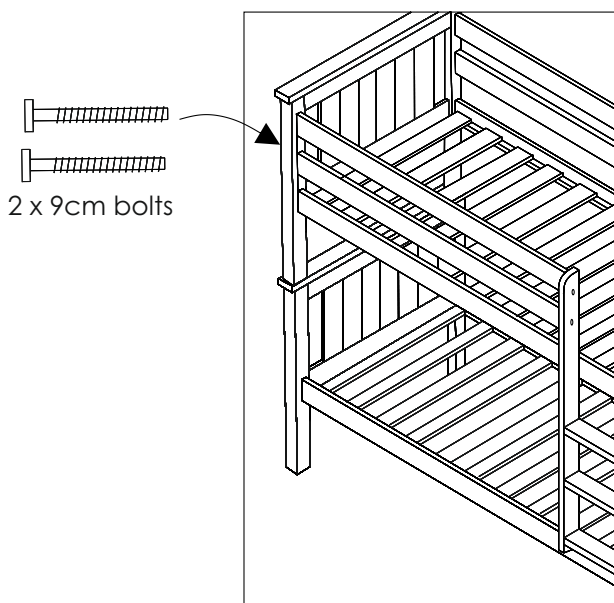
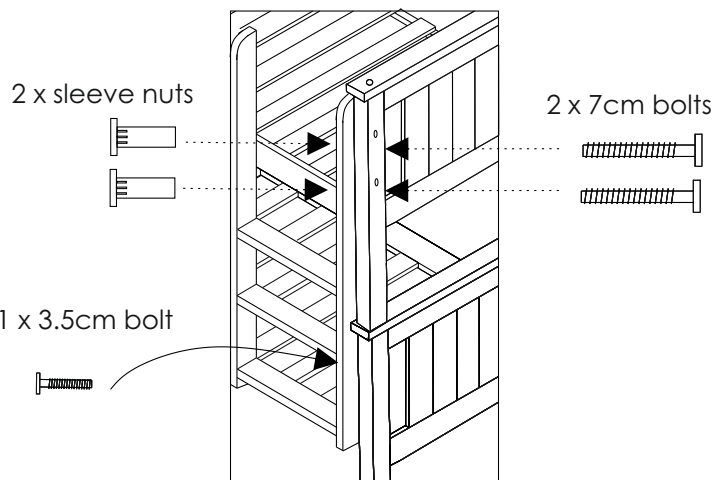
Gently engage the ladder notches over the lower mattress rail and then push the right-hand ladder string up against the bed legs, aligning and engaging the wooden dowels

Connect the ladder string

2 x 7cm bolts, 2 x sleeve nuts and 1 x 3.5cm bolt

Fix the ladder string to the bed legs using 2 x 7cm bolts and 2 x sleeve nuts
Connect the ladder to the lower bed leg using the 3.5cm bolt

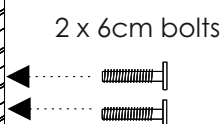
This can be a bit fiddly so do not tighten up the upper fixings until you have connected the lower 35mm bolt.



Fix the front safety rails

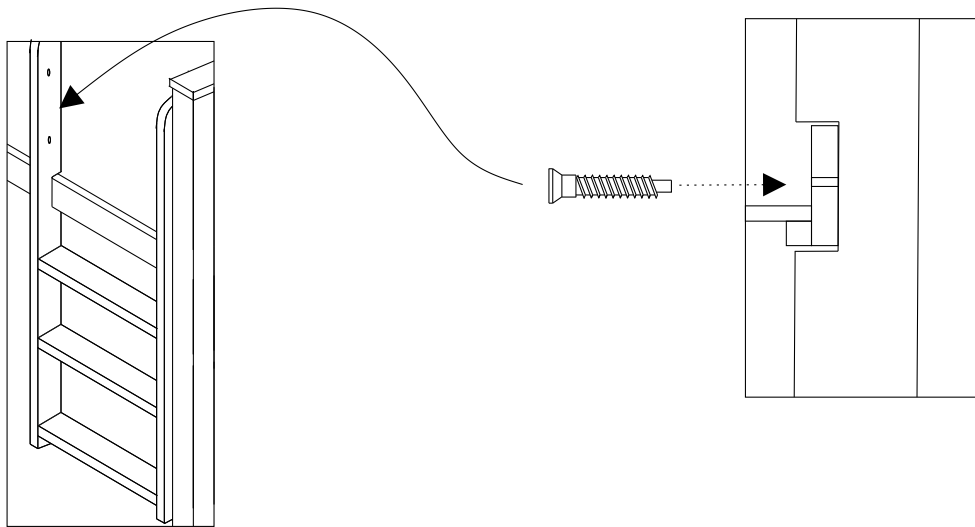
2 x 6cm bolts, 2 x 9cm bolts and 4 x barrel nuts

Slide the two safety rails into the wooden dowel holes. Now connect the two rails using the bolts shown, rotating them tight through the barrel nuts.



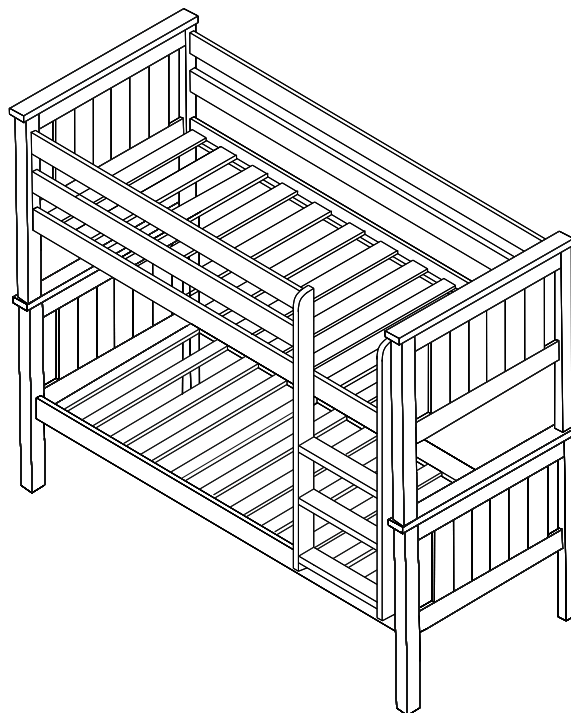
Secure the ladder

Connect the left-hand ladder string to the mattress rail using a 5cm screw bolt from the inside. Move the mattress slats to allow access to bolt. Now fix the four slats in place.



Position the bunk

Carefully lift the bunk bed into place using the lower bed ends (Two people)
Lift the mattresses upon the sleeping surfaces
Note that the upper mattress **MAXIMUM** thickness at 20cm



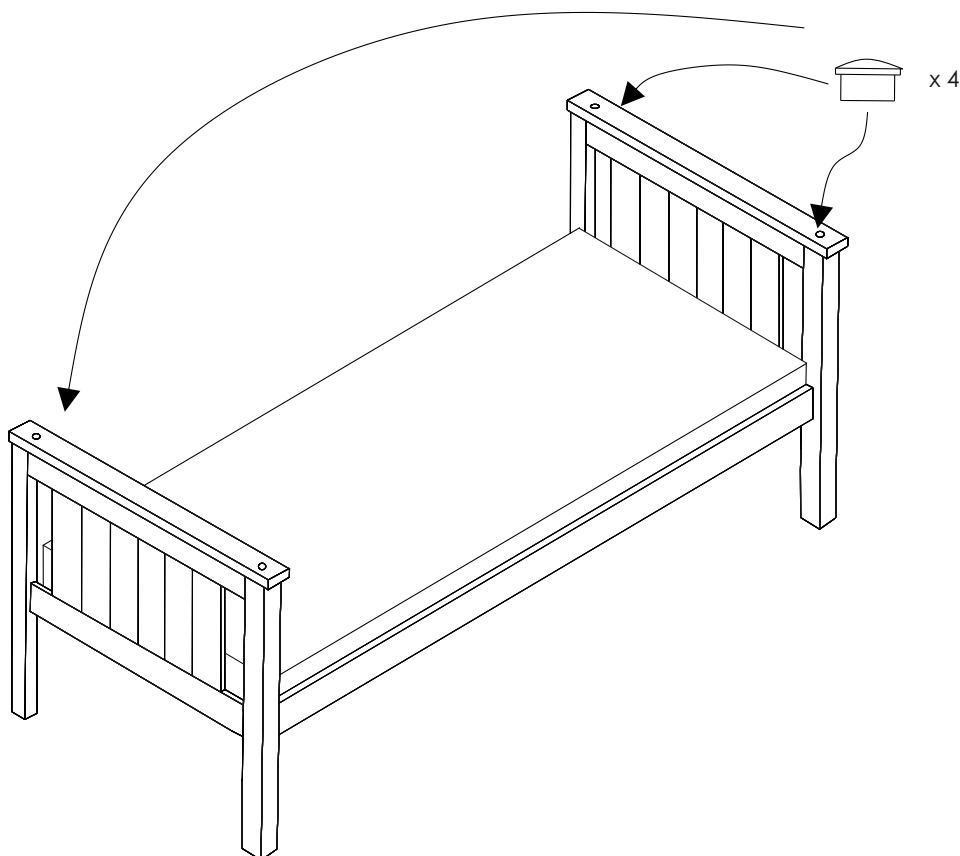
Please take a few minutes to look over the bunk bed to ensure that the fittings are securely fastened and the product is stable.

Make two single beds (Convert the bunk)

Two people required.

Carefully remove the ladder and front safety rails. Now remove the wood screws that hold the two bunks together and gently lift the upper bunk off the lower bunk, placing on the floor. Remove the rear safety rails from the bed frame if you so wish. Remove the large wooden dowels from the capping rails. You have the option to cover these holes using the 4 x hole covers supplied.

Warning; We do not recommend that these hole covers are accessible to small children of 36 months and under.

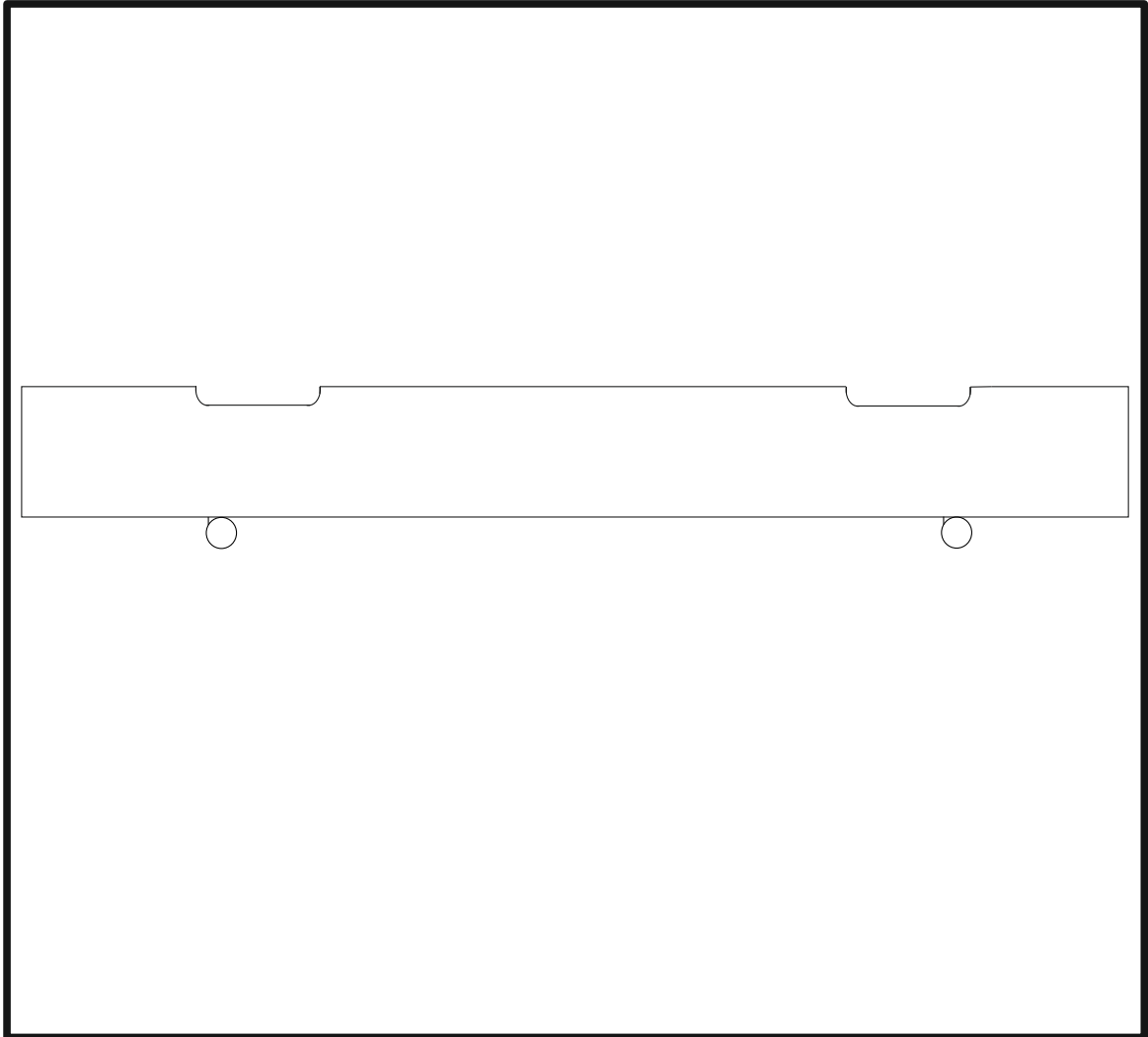


Please take a few minutes to look over the bunk bed to ensure that the fittings are securely fastened and the product is stable.

Please keep any removed parts and fittings in a safe place for future use.

Little Folks

- FURNITURE -



Classic Trundle bed

Code: TDL003

PLEASE READ CAREFULLY & KEEP FOR FUTURE REFERENCE

Thank you for buying a **Little Folks** piece of furniture

Treated properly it should be a faithful servant for years - and we hope you get the same amount of pleasure from it. Before you do

- please take a few minutes to read these instructions
- we suggest you carefully unpack everything, lay it out on a clean, flat floor and identify everything on the parts list in these instructions. Do not throw away any packaging until you are sure you have all the parts.

If you have any problems assembling the product please call our customer services on 01985 300588 and we will try and help. If for any reason you wish to return the product, you must disassemble the product and pack in the original packaging.

Taking care of your product

Your furniture should require no more than a regular dust off with a soft cloth. If the furniture is not painted then a superior wood polish can be used - but never use polishes containing silicone.

If necessary it can be cleaned with a damp cloth with a mild detergent solution - and then dried with a lint-free cloth. Never clean with abrasives or chemical cleaners.

Direct sunlight or heat from a radiator can stain, discolour warp or crack furniture.

We know furniture can be heavy but try not to drag furniture across the floor as this can damage it.

PRODUCT SAFETY

The recommended size of the mattress is 183cm x 76cm (6` x 2`6)

Periodically check all fittings to ensure that none have come loose.

Keep away from direct sources of heat, such as electric, gas or coal fires.

Do not allow children to Climb on the furniture.

Using this furniture other than for its intended purpose could cause damage to the structure or serious injury to your child.

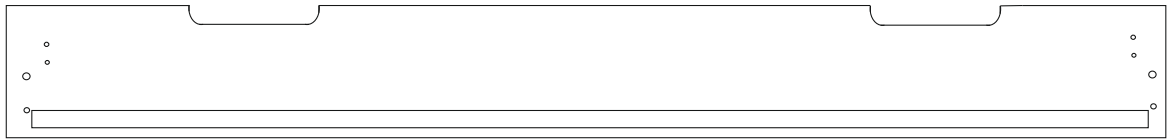
The Bed should not be used if any structural part is broken or missing.

If you can manage it, please try to persuade your children not to bounce on the bed.

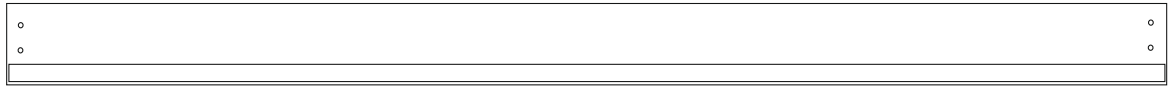
Warning: The child`s bed should not be placed too close to other furniture or windows, blind cords, curtain pulls or other strings or cords, and should be placed either tight to any wall or have a gap of 300mm between the wall and the side of the bed.

If you have any problems please do contact us for help on e mail customerservices@littlefolkspfurniture.co.uk or phone our **CUSTOMER SERVICES 01985 300588**

Parts list



1x Front Panel



1x Rear Panel



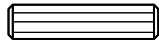
2 x Sides (left and right)



3 x bases

Fittings

4 x Dowels



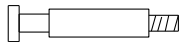
10 x Fat Screws



2 x Large Cams



2 x Large Cam Pins



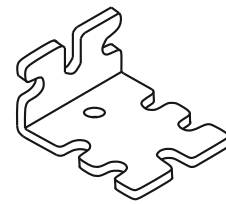
4 x Bolts 6cm



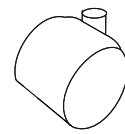
4 x Barrel Nuts



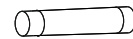
12 x Screws



2 x Brackets



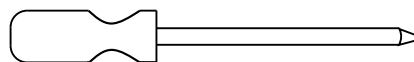
4x Castors



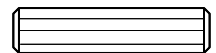
4x Castor Pins

Tools Req

Screwdriver



Castor Fitting Aid



1 x Allen Key

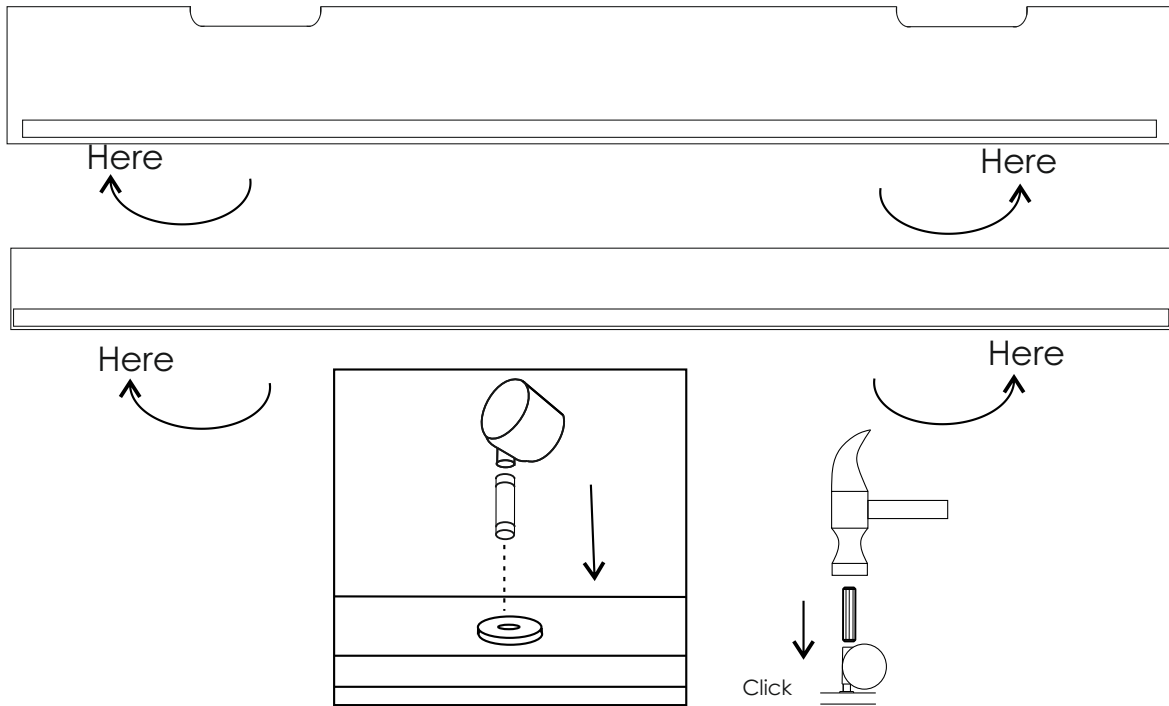


Fit the Castors

4 x castor pins, 4 x castors and the castor aid.

Push the castor pins into the castor bush (located on the bottom of the front and rear panel (shown on the images)).

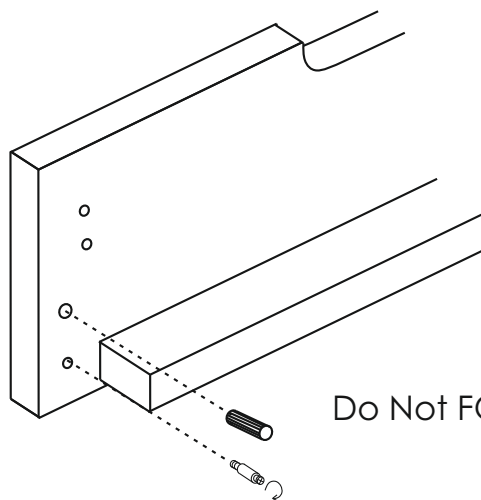
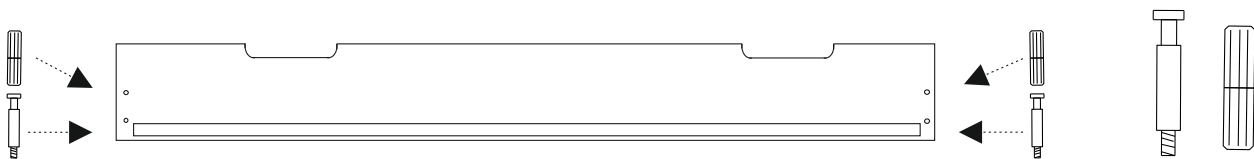
Then push each castor onto these pins. Some light force may be needed to make them "click" together. (A gentle tap with a small hammer using the castor fitting aid can help). Check that the castors rotate, if sticking, gently lift the castor away from the bush creating a small gap.



Fit the Front panel

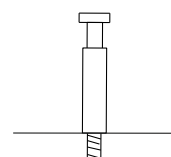
2 x wooden dowels and 2 x cam pins

Insert one dowel and one cam (rotate cam) into the holes at each end as shown.



Rotate Cam in up to shoulder

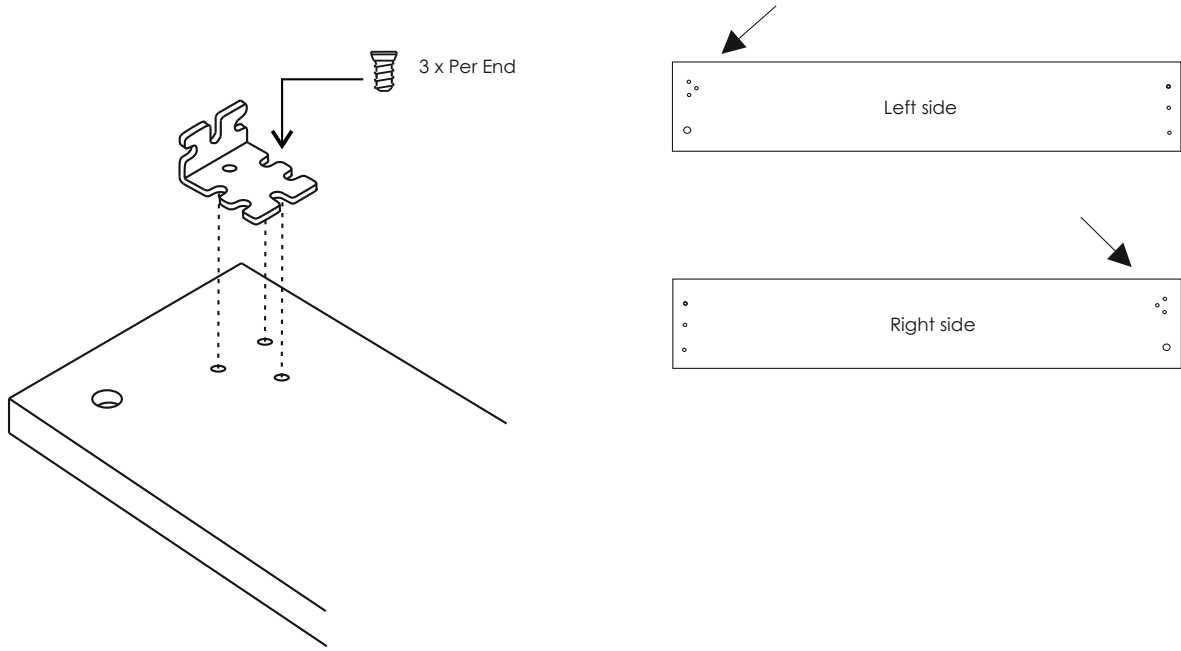
Do Not FORCE dowel "Gently insert"



Fit the Sides

6 x Fat screws and 2 x brackets

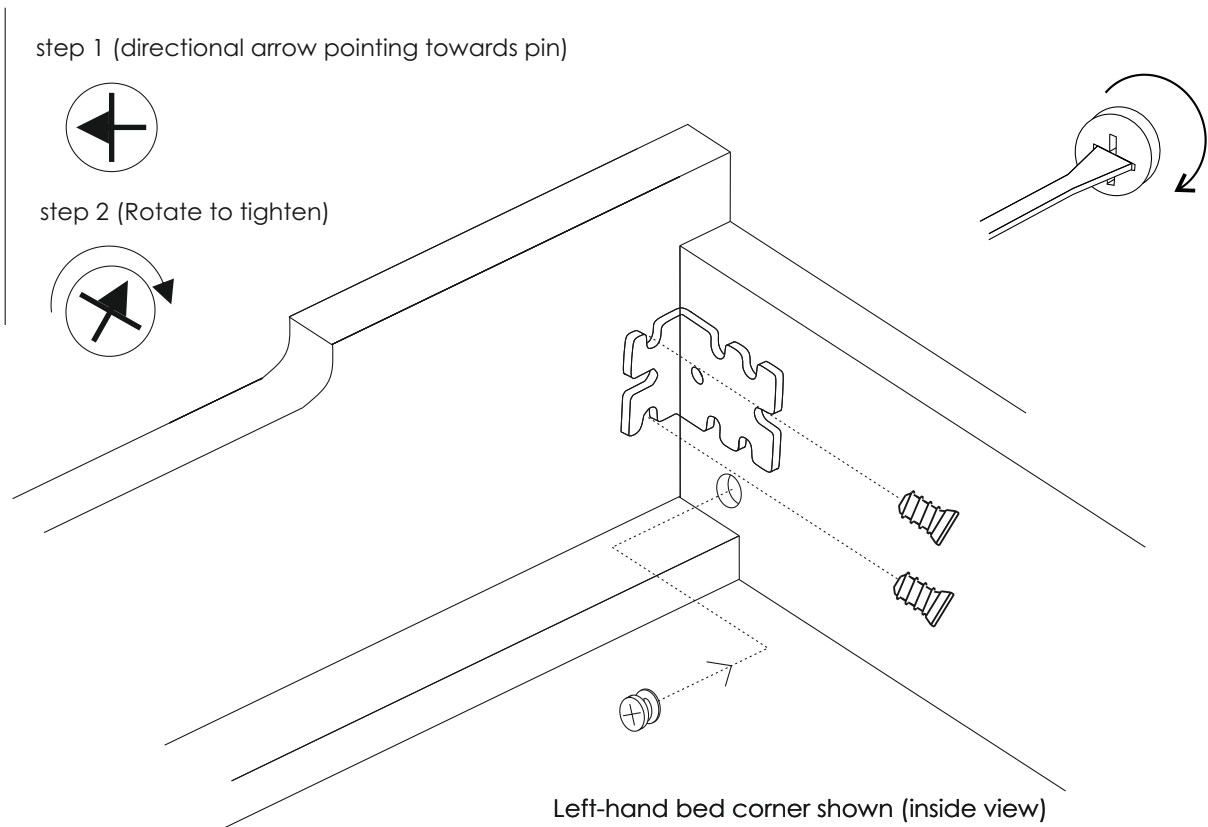
Screw the Brackets to the bed sides as shown.



Assemble the front and sides

4x Fat screws and 2 x cams

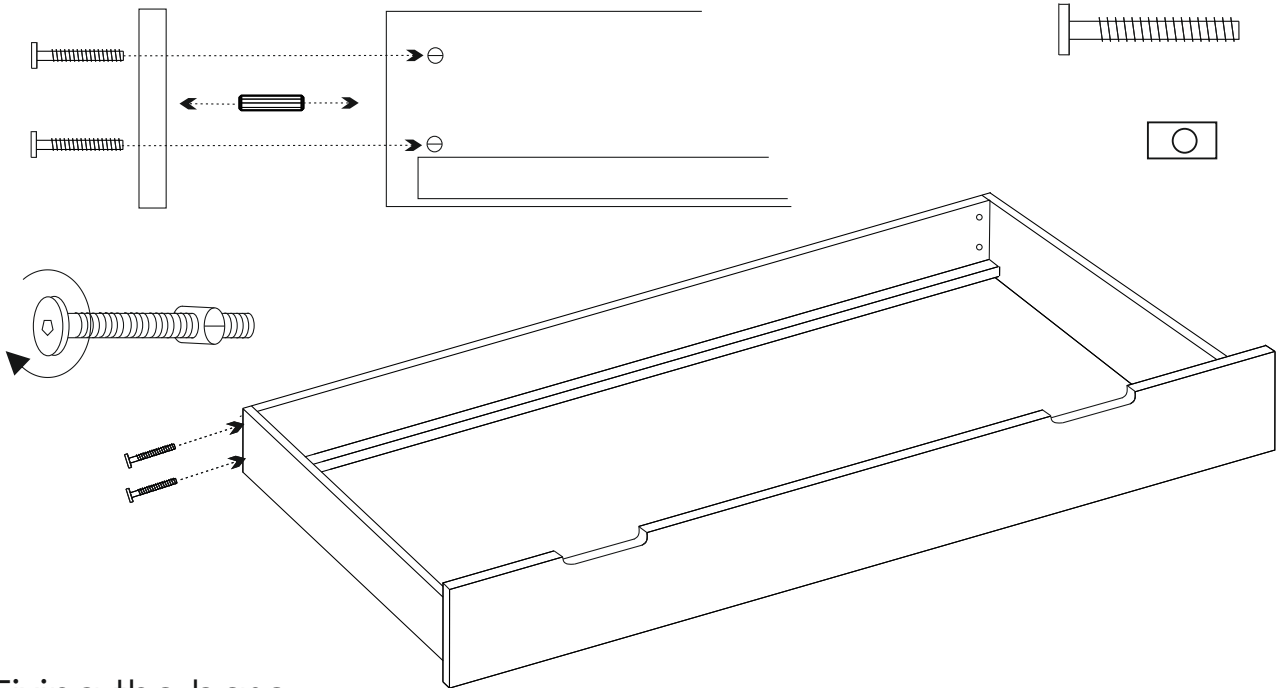
Align each side with the front panel fixings that you have already connected (cam pin and dowel) now press the side onto the front panel, once tight together insert the cam into the hole and rotate to tighten. Now insert the euro screws into the remaining holes in the front panel, tightening the bracket securely.



Fit the rear panel

2 x wooden dowels, 4 x 6cm bolts and 4 x barrel nuts

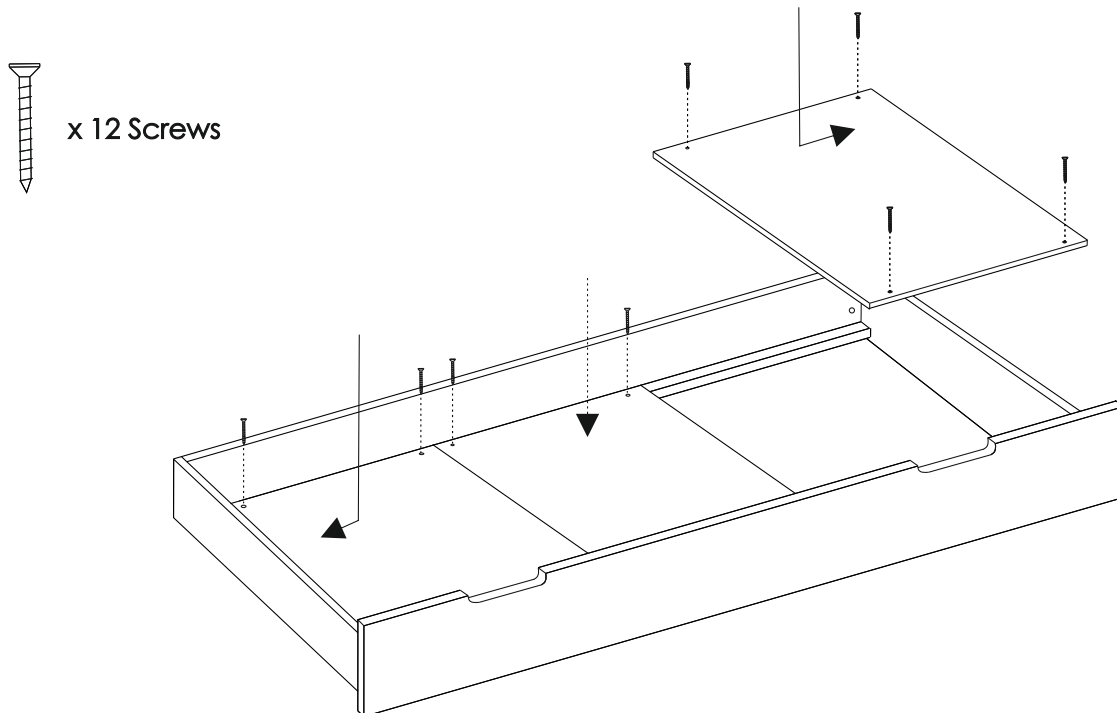
Insert a wooden dowel into the central holes at each end of the rear panel and slide the panel into place, as shown. Align the two bolt holes seen in each piece of the bed side and insert the bolts and connecting barrel nuts. Once located, tighten the parts together.



Fixing the base

12 x Wood screws

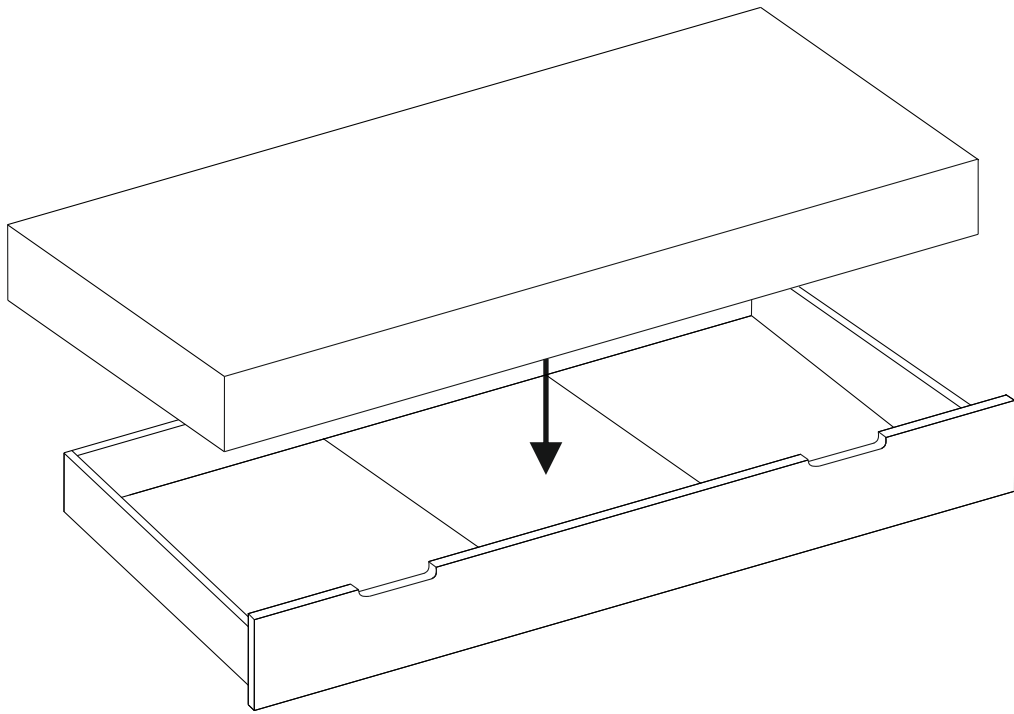
Drop the 3 x base boards into the bed and arrange so that the gaps between these parts are roughly equal. Now simply screw down each board until secure.



fit end bases first as to slide them upto each end of the bed, then drop the centre panel into place.

Fit the mattress (if applicable)

Gently place the mattress into the trundle bed frame.



Locate the trundle

Gently roll the trundle bed under the upper bed taking care when positioning, observing the gaps between the bed and trundle.

